

2014-2-28

ZAY210

EXPLOSION-PROOF PAN AND TILT FOR FIXED SURVEILLANCE CAMERA

MAIN FEATURES

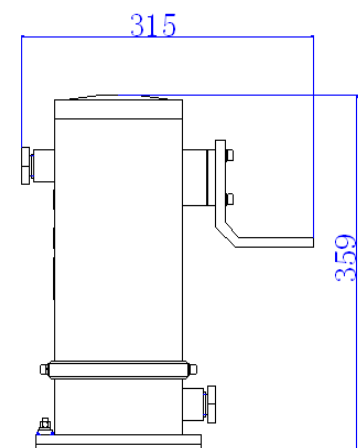
- Exd II CT6 & DIP A20, TA, T6
- Stainless steel 304 enclosure
- Enclosure Protection: IP68
- Fit for gas zone 1, zone 2, dust zone 21, 22
- Optional power input: AC24V, AC220V
- Working Current: ≤500mA
- Variable speed: 6°/S Pan and Tilt
- Pan : 0-360°, Tilt: -90 to +60°
- Can load fixed type explosion proof camera, like ZAF100B, ZAF102, ZAF105
- Support analog and network camera
- Economic choice to realise 360 degree tracking surveillance
- Application: gas station, chemical factory, petroleum processing factory, oil drilling platform, marine, pharmaceutical factory, gain store, winery store



ZAY210 load with ZAF105 housing



Model	ZAY210-IP	ZAY210
Atmospheric pressure	80KPa~110Kpa	
Ambient Temperature	-20°C~+60°C	
Relative Humidity	≤95% (+25°C)	
Ex-proof mark	Ex d II CT6 & DIP A20, TA, T6	
Explosion proof Certified	CNEEx 13.4247	
Ingress Protection	IP68	
Housing Material	Stainless Steel 304, or 316L	
Optional Voltage Input	AC24V, AC220V	
Working Current	≤500mA	
Power consumption	<50w	
Pan and Tilt	horizontal rotation: 360° continuous vertical rotation: -90° to	
Rotation speed	6°/s	
Control way	RS485, PELCO-D/P Protocol	
Signal output	RJ45	AV output
Cable output	RJ45+power cable	Integrated cable
Overall dimension	315*315*359mm	
Net weight	10.5 kg	



specifications subject to change without notice.© ZUO AN all rights reserved.

skype: cookee.lee

tel +86-15295033359